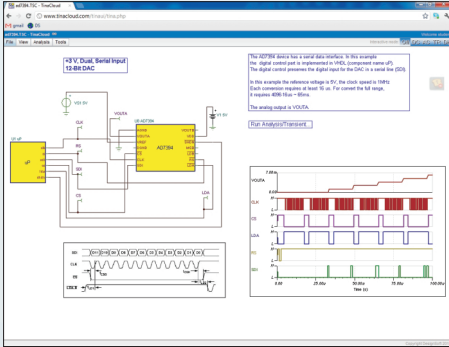


TINA

The Complete Electronics Lab on the Web



www.tinacloud.com

Web-Based Circuit Design & Analysis

Boost_converter.tsc - TinaC x

<https://www.tinacloud.com/tinaui/tina.php>

Boost_converter.tsc - TinaCloud

File View Analysis Tools Help

MY PIC CALCULATOR in TINA Cloud

Welcome Student

Interactive mode: Off DC AC TR Dig

VEN

Vsw

SD1 1N5821

C1 100u

R5 42k

C5 22n

1k

Rload 200

Vdd 5

RA0 RA1 RA6 RA7 VDD RB5 RB6 RB7

Transient 1

Time (s)

0.00 2.00m 4.00m 6.00m 8.00m

VEN

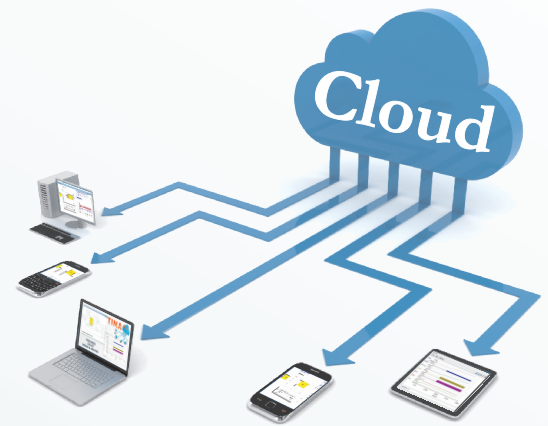
VIN

DesignSoft
tina.com
tinacloud.com
designsoftware.com

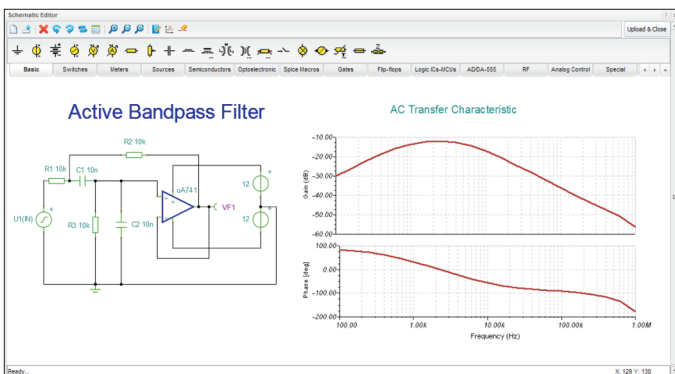
TINA

The Complete Electronics Lab on the Web

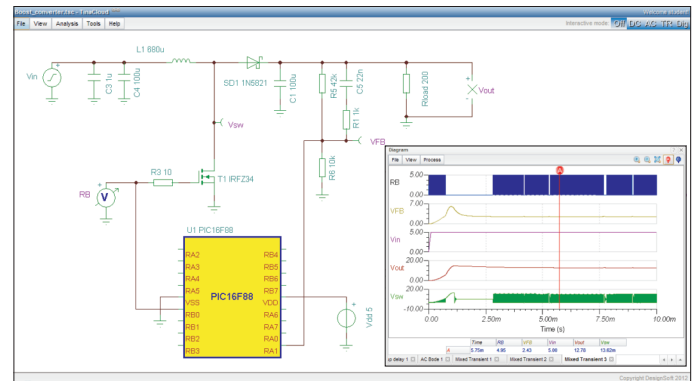
WEB-BASED CIRCUIT DESIGN & ANALYSIS



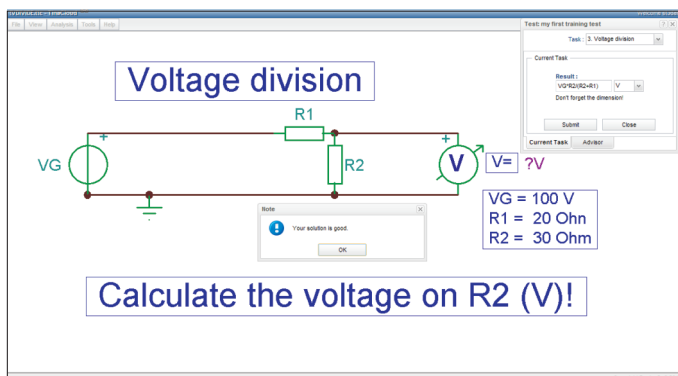
TINACloud is the cloud based version of the popular TINA circuit simulation software now running in your browser. With this powerful, industrial strength, yet affordable circuit simulation tool you can analyze & design analog, digital, VHDL, Verilog, MCU, and mixed electronic circuits including also SMPS, RF, communication, and optoelectronic circuits and test microcontroller applications in a mixed circuit environment. TINACloud runs on most OSs and computers, including PCs, Macs, thin clients, tablets--even smart phones, smart TVs and many e-book readers. You can use TINACloud in the classroom, at home, and, in fact, anywhere in the world that has internet access. Electrical engineers will find TINACloud an easy to use, high performance tool, while educators will welcome its unique features for the training environment and distance education.



Enter your schematic circuit diagrams with the easy-to-use schematic editor of TINACloud or upload already existing schematics created with TINACloud or with previous versions of TINA. Component symbols chosen from the component bar can be easily positioned, moved, rotated and/or mirrored on the screen. TINACloud's semiconductor catalog allows the user to select components from a user-extendible library containing more than 20000 parts. TINACloud gives you tools to enhance your schematic by adding titles, text and diagrams. You can store your designs on TINACloud's server and reach wherever you are in the world or download to your computer and upload again to analyze.



Analyze your circuits using more than 20 different analysis modes, present your results in sophisticated diagrams and generate reports about your projects in pdf format. In the interactive mode of TINA Cloud you can test your circuits in "real life" situations using interactive controls (such as keypads and switches) and watching displays or other indicators while the analysis is in progress. TINACloud's optimization tool can tweak one or more unknown circuit parameters to achieve a predefined target response and it also includes a powerful Design Tool which works with design equations to ensure that the specified inputs result in the specified output response.



TINACloud has special operating modes for training and examination. In these modes, under TINACloud's control, the students solve problems assigned by the teacher. The solution format depends on the types of problems: they can be selected from a list, calculated numerically, or given in symbolic form. If the student cannot solve the problem, he/she can turn to the multilevel Advisor. The package includes all the tools needed to produce educational materials. This feature is especially useful for distance education, for example students can solve problems at their home at a given time and the teacher can evaluate their solutions instantly using TINACloud's tools.

